

DEZZI

2300
Mega Mover
Timber Loader



B U I L T A F R I C A T O U G H

Designed and Manufactured in South Africa



Axles

- Type : Graziano
 Model : PR15
- Front axle fixed, rear axle oscillates through 12°
 - Double reduction drives with standard differentials driving all four heels

Steering

- Centre pivot - frame articulation
- Fully hydraulically powered with flow controlling system
- Full flow filtering
- Steering angle - 35° in each direction

Tyres

Standard tyres : 620/75 R26

Electrics

Voltage : 24 Volt
 Battery : 2 x 12 Volt
 Alternator : 24 Volt / 55 Amp

Brakes

Service Brake

- Dry disc caliper activating on all four wheels
- Fully hydraulically activated
- Brakes are activated by use of one brake pedal

Park Brake

- Spring applied hydraulic release fail safe
- Operator engages manually

Loader Hydraulic System

- Closed system with pressure control
- Fixed displacement gear type pump
- Full flow filtering

Steering Hydraulics

- Two 76.2mm bore x 472 mm stroke double acting cylinders
- Orbital controlled
- Working pressure - 2400 Psi

Engine

Type : Cummins
 Model : 6BT - 5.9 Turbocharged
 Capacity : 5.9 Litres
 Power : 123kW @ 2500 RPM
 Torque : 597Nm @ 1600 RPM

Transmission

- Type : ZF
 Model : 4WG160
- Four speed automatic shift transmission with modulated directional clutch
 - Driven via converter from engine
 - Operation by a single lever on left of steering wheel

Maximum speed in gears : 4 Forward - 3 Reverse

	First	Second	Third	Fourth
Forward (km/h)	7.6	13.95	26	43
Reverse (km/h)	8	14.6	28	

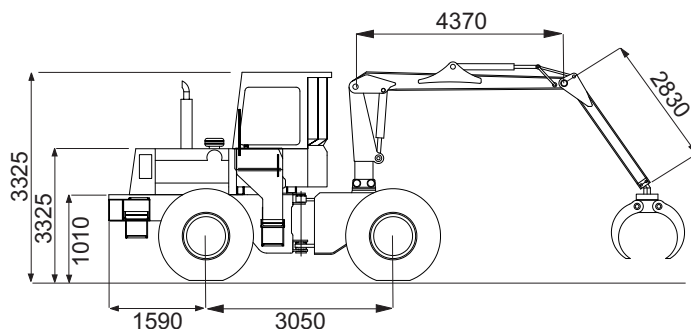
Gears speeds at engine RPM : 2300

Operational Weights

Operating Weight : 13500 kg
 Turning Circle : 6470mm radius outside bucket

Loader

- Cranab 92 Crane. Grab size 0.56
- Push Piler



Dimensions are approximate

DEALER

kiwa



DESMOND EQUIPMENT

PORT SHEPSTONE HEAD OFFICE

Tel: 039 685 4100 | Fax: 039 685 4476 | E-mail: dezzi@venturenet.co.za
 PO Box 111 Port Shepstone 4240, South Africa
 Web: www.dezzi.co.za